

DETAILS K1 STOCK & R3 RACER



 **GRÜNIG+ELMIGER**
SWITZERLAND

3D GRIP SIZES



Art. No. 14.4935 RH (right handed)
 Art. No. 14.4935.1 LH (left handed)

3D-Grip, size XS, S, M and L, suitable for RS,
 XRS and K1 stocks /weight 210g

Grip Size XS (women, junior)



Grip Size S (women, junior)



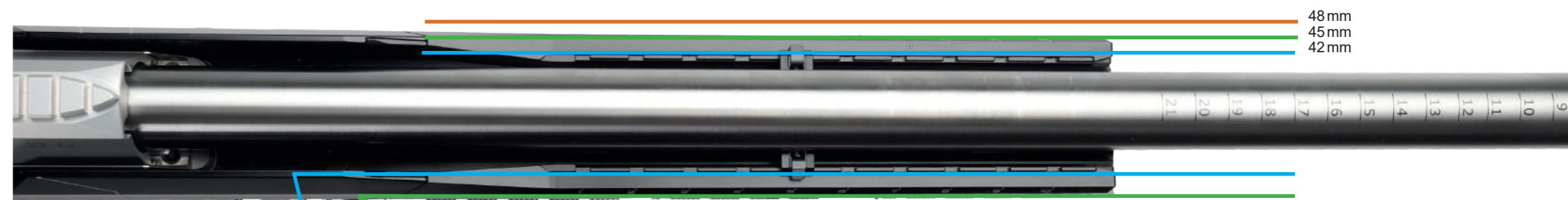
Grip Size M (women, men) (standard)



Grip Size L (men)

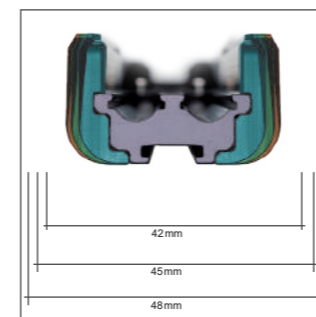


WIDTH OF STOCK IN FRONT



48 mm
 45 mm
 42 mm

Difference



42mm
 45mm
 48mm

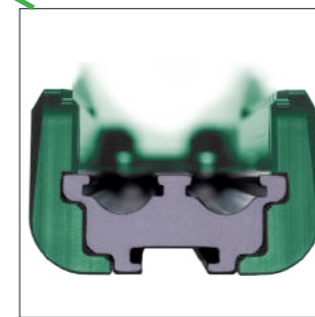
Women/Junior



42 mm

Art. No. 14.4960
 Width of stock in front
 42 mm/weight 70 g

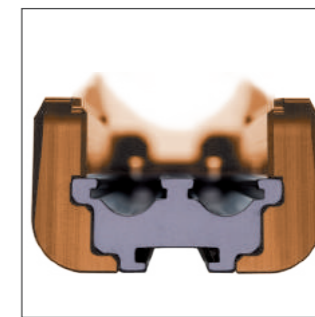
Women/Men



45 mm

Art. No. 14.4961
 Width of stock in front
 45 mm/weight 129 g

Men



48 mm

Art. No. 14.4962
 Width of stock in front
 48 mm/weight 170 g
 (standard)

TRIGGER GUARDS

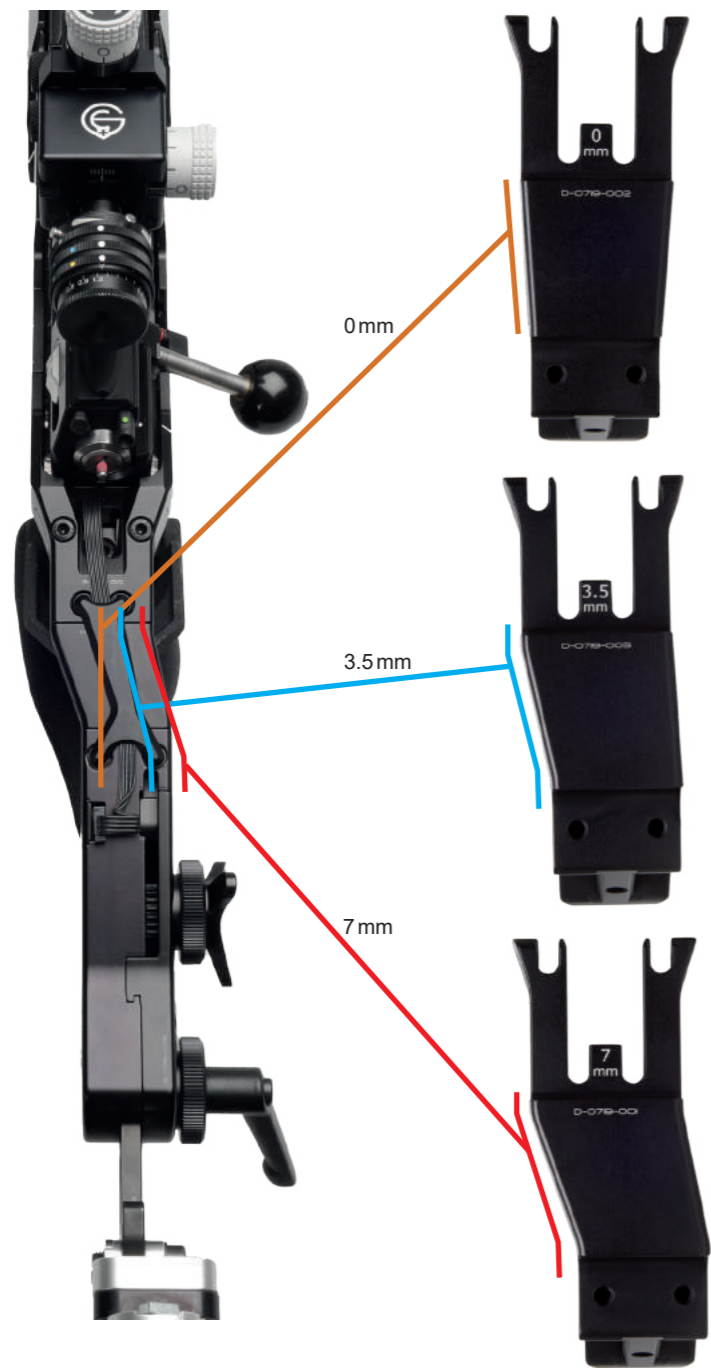


14.4993 Standard trigger guard
for K1 stock/weight 34 g
suitable for all gender



14.4992 trigger guard Free
for K1 stock/weight 17 g
more suitable for women/junior,
because it's smaller
(but is also for men)
40 mm more space for hand rest
(kneeling & standing)
Shooting belt does not touch the
trigger guard

OFFSETS



14.4949 RH/14.4949.1 LH
Offset 0 mm aluminium for
K1 stock/weight 53g

14.4950 RH/14.4950.1 LH
Offset 3.5 mm aluminium for
K1 stock/weight 53g

14.4951 RH/14.4951.1 LH
Offset 7 mm aluminium for
K1 stock/weight 53g
(standard)

BARREL DIAMETER



Barrel Ø 23.5mm
(Men)

Barrel Ø 22.8mm
(women/junior, but more and more also men)

The difference between these both diameters is approx. 100g

NEW - REAR STOCK



Art. No. 14.4902
G+E rear stock

Now you can also buy the rear stock separately.
How you can configure the rear stock see below and next page.



Black I

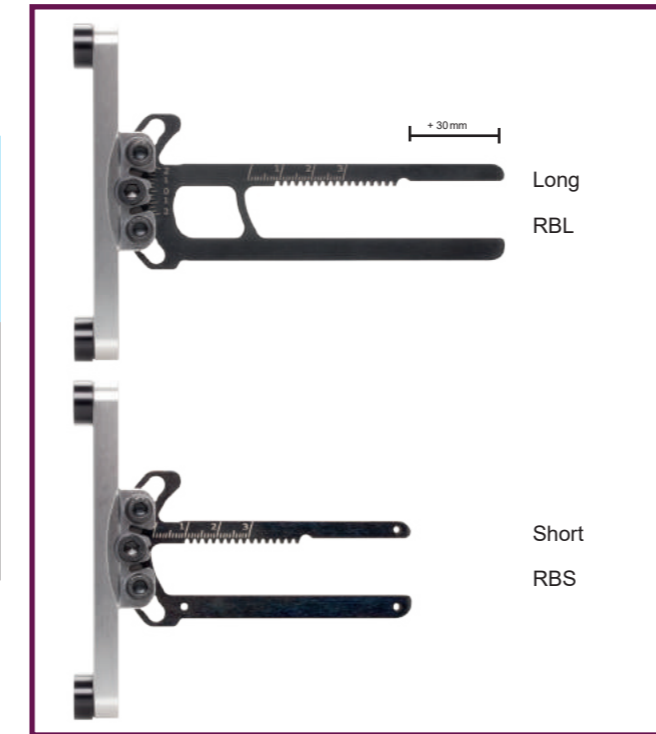
Black IIF

Black II

Black III

Hinged cheekpiece

Left-/Righthander	Offset Aluminium	Offset Titanium	Quick adjustments	Manual Adjustments	Ratchet (Buttplate)	Black I	Black IIF	Black II	Black III	Hinged cheekpiece
LH	0	T 0	Q	M	RBS	B1 S	B2F S	B2 S	B3 S	H S
RH	35	T 35			RBL	B1 L	B2F L	B2 L	B3 L	H L
	70	T 70								



Long RBL

Short RBS



0

T 0

3.5

T 35

7

T 70



Quick Q

Manual M

Example:

RH

35

Q

RBL

B2FS